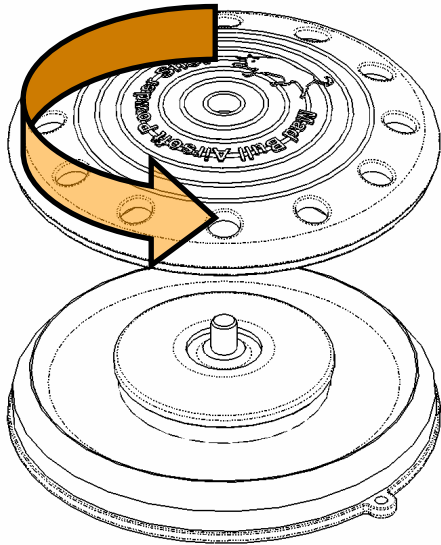


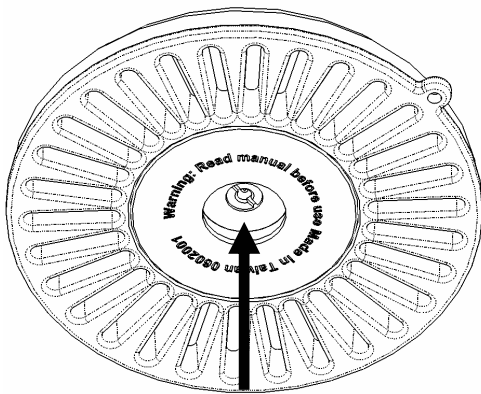


www.MadBullAirsoft.com
MAD BULL Powder Shot User Manual

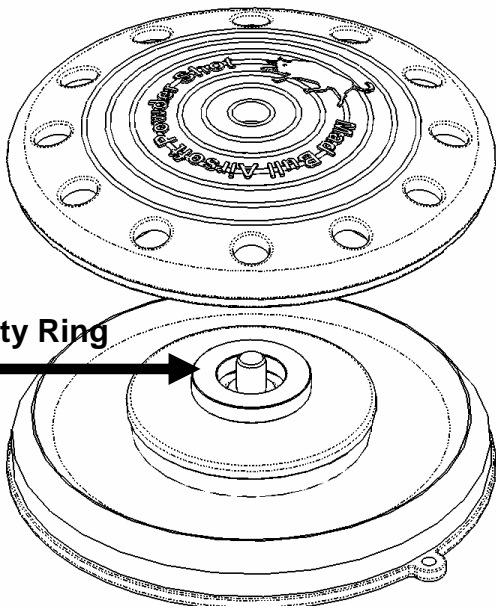
NOTE: WEAR GOGGLE ALL THE TIME!



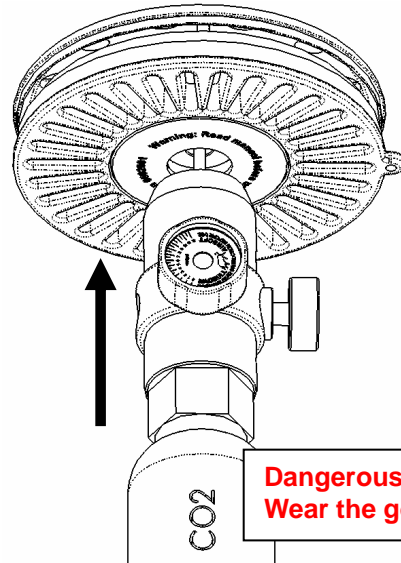
Step 01 : Take off the upper cover. (counter-clockwise)



Step 02 : Reset the valve by using a stick to push in. Show above.



Step 03 : Put on the safety ring and put the upper back. (Once you put the safety ring, you can bring powder shot with you safely.)

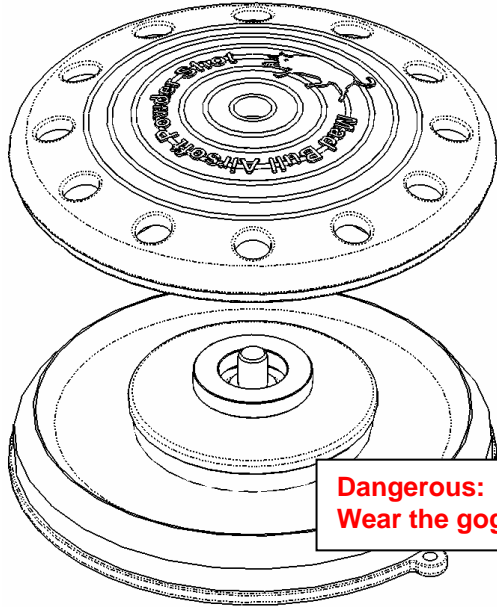


Step 04 : Please use green gas, red gas or CO2 to refill the powder shot. In order to get the best performance (LOUD!!!), we will suggest you to refill it with CO2.

However, you must have sufficient knowledge to use CO2 charger properly. (Most of Airsoft players are not familiar with CO2 compared to paintball players.)

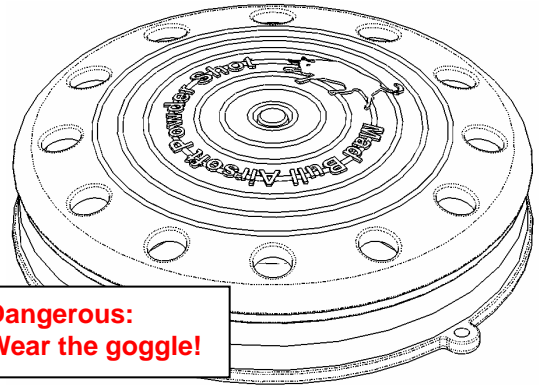
If you want to use CO2, we will suggest you to use our **CO2 regulator charger (Item # XC02)** You must refill it with CO2 with pressure less than 500 psi for the safety reason. **If you don't have CO2 regulator, please DO NOT refill it with CO2.**

NOTE: Never refill liquid CO2 onto Powder Shot or it will damage your O-ring easily.



**Dangerous:
Wear the goggle!**

Step 05 : When you want to apply your powder shot onto the battle field, please take off the upper cover and take out the safety ring. Also, put some flour or corn starch (available in the super market.) Then, put the upper cover back. **(DO NOT screw the upper cover tightly onto the lower base or it will fire immediately.)** (MUST wear goggle!!!)



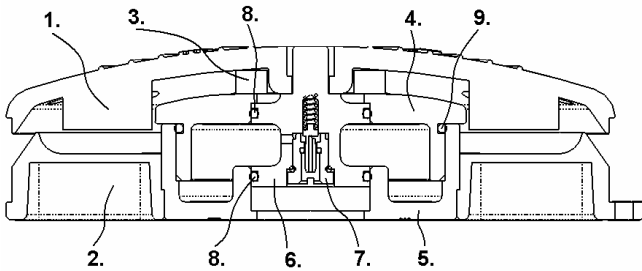
**Dangerous:
Wear the goggle!**

Step 06 : Now, you need to hide your powder shot. In order to play it safely, please **DO NOT** put any heavy or sharp stuff (including sand, stones, BBs...) onto the powder shot. Instead, we will suggest you to put some **leaves or straws** onto it. Play it safely

NOTE 1: Each Powder Shot has its own serial number. Please register it online. (Go to www.madbullairsoft.com/powdershot) If you find one on the field, you can always know who own the Powder Shot by searching online.

NOTE 2: You can use a fishing line to attach powder shot. Therefore, you can find out your powder shot easily on the filed.

Details :



1.	Upper Cover	6.	Valve
2.	Lower Base	7.	Refill valve
3.	Safety Ring	8.	Valve O-ring
4.	Gas Cylinder Cover	9.	Gas Cylinder O-ring
5.	Gas Cylinder Base		

Important Notice:

1. This product is a toy. However, you must have sufficient knowledge to play with it. Unauthorized modified will cause damage.
2. You "MUST" refill the gas to check if there is a leaking first. If not, the leaking, don't put powder into it.
3. Our product is designed for pressure lower than 500psi. If you use high pressure gas, it may cause leaking and damage the O-ring.
4. Modify is not allowed. If you find problems with this product, please consult with your local dealers.
5. Maintenance: Please use silicon oil to lubricate the components frequently.
6. Only replaced with the original factory parts in order to ensure the quality and safety.
7. Only play powder with people who know you want to use Powder Shot.
8. Never use Powder Shot to scare people. Please play it responsible.
9. You must find out your own Powder Shot after each game or your powder may scare people. (Use a fishing line to attach your Powder Shot and try to tie the fishing line to an object which you can find out easily.)

Product Advisory for ALL Airsoft/ Paintball related products

WARNING:

Don't change, obscure, alter, remove, or obliterate any coloration or markings on this gun. The coloration and/or marking on this product, including the blaze orange barrel tip are designed to comply with applicable state and federal law and regulations.

WARNING:

This product may be mistaken for a firearm by law enforcement officers or others. Any person who changes, alters, removes, or obliterate any coloration or markings that are required by state or federal law or regulation, in any way that makes this product look more like a firearm is guilty of a misdemeanor.

WARNING:

The open display, brandishing and/or exposing of this product in any "public place" may cause confusion and may be a crime. The term "public place" means any area opened to public, including but not limited to, streets, sidewalks, bridges, alleys, plazas, parks, driveways, front yards, parking lots, automobiles, whether moving or not, and buildings opened to the general public including those that serve food or during, or provide entertainment, and the doorways and entrances to buildings or dwellings.

WARNING:

Every person who, except in self-defense, draws or exhibits this product in a threatening manner against another in such a way as to cause a reasonable person apprehension or fear of bodily harm is guilty of a misdemeanor punishable by imprisonment in the county jail for a term of not less than 30 days.