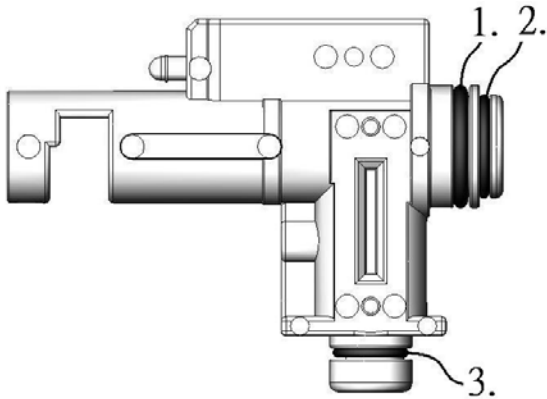




www.MadBullAirsoft.com
MAD BULL AIRSOFT
Ultimate Hopup Unit User Installation Guide

NOTE: WEAR GOGGLE AT ALL TIMES

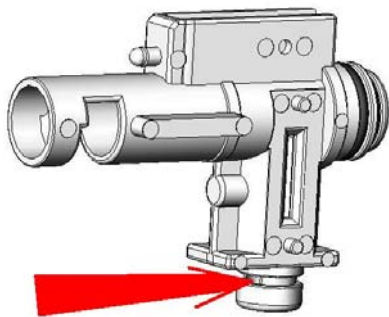
Step 01 : Install 3 orings. Oring size from big to small: 1>2>3
Oring No. 3 also provide the chamber lock function which is designed by Brian Holt, California.



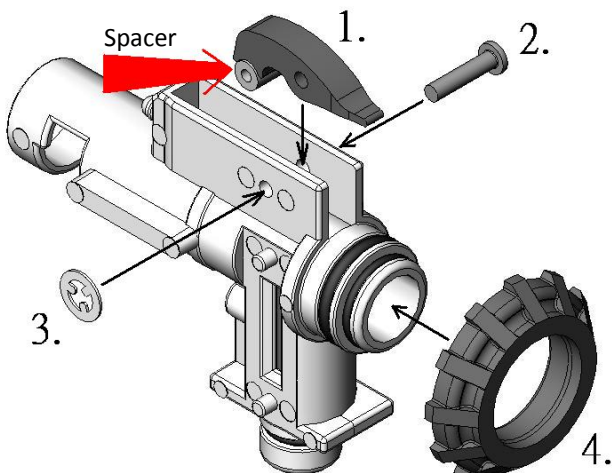
Step 02 : "Chamber lock" function: With this new hop up design you will not have to worry about losing and dropping several bb's with a magazine change. This new design provides you with a way to keep bb's in your AEG and ready to use and not on the floor and even better it stabilizes the top of the magazine to ensure a secure and flawless feed of bb's into the AEG. You can modify the Chamber buy filing (sanding) the gap (with red color arrow pointed)

If you don't like this function, you can always disable it by removing the oring 3.

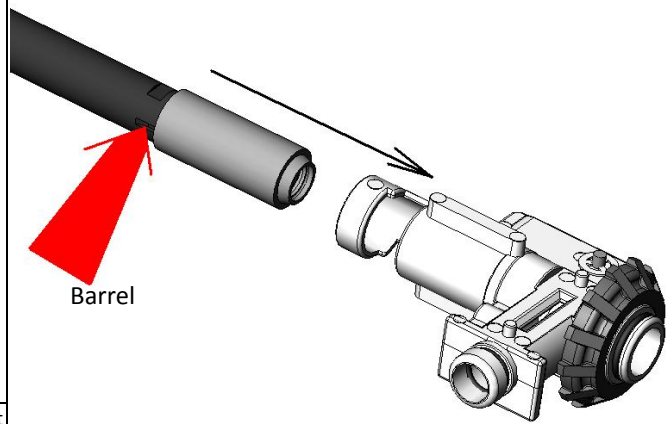
CAUTION: This hop up unit is designed for the experienced and responsible Airsoft player. With the magazine removed the AEG is still able to fire several bb's. Always wear safety goggles and treat all Airsoft weapons as if they were loaded.



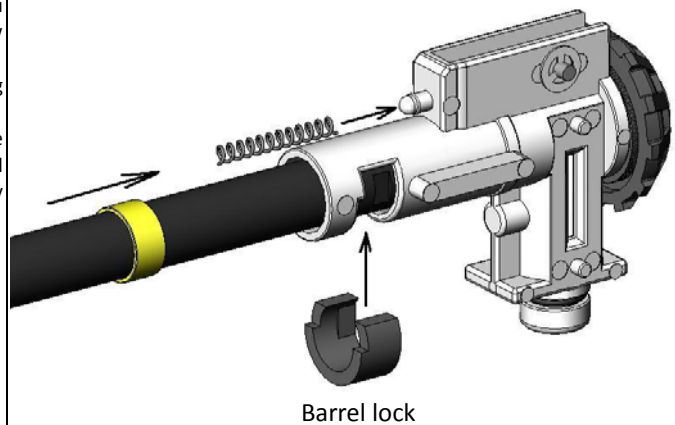
Step 03 : Use a little bit grease to stick Hopup "spacer" on to Part 1. And assemble parts 1,2,3, and 4



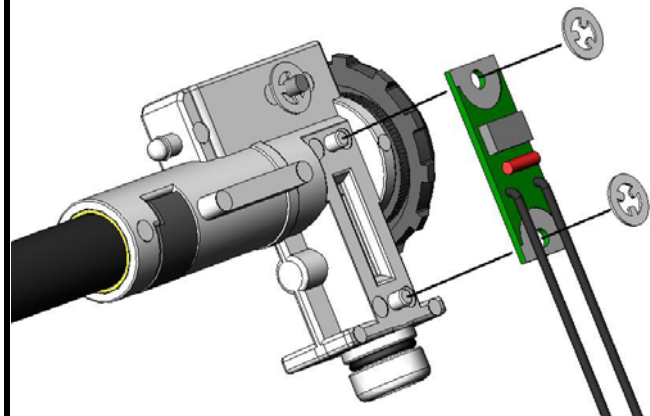
Step 04 : Apply some silicon oil outside of Hopup bucking and assemble insert into barrel. Slightly push into the Hopup bucking unit. (Please consult Airsoft experts.)



Step 05 : Insert "spring", "Cooper ring" and "barrel lock"



Step 06 : Assemble LED Tracer unit: Face the LED bulb to the Hopup unit and use to lock ring to fix the Tracer unit. NOTE: Tracer unit is optional. Need to purchase separately. NOTE: Tracer unit can handle around 15 BB/Sec and 130 m/Sec. If you keep shooting full auto, the tracer unit's power may not catch up the Tracer BB. Strongly suggest players to shoot 5 shots burst or semi-auto.



Product Advisory for ALL Airsoft/ Paintball related products

WEAR GOOGLE AT ALL TIMES!

WARNING:

Don't change, obscure, alter, remove, or obliterate any coloration or markings on this gun. The coloration and/or marking on this product, including the blaze orange barrel tip are designed to comply with applicable state and federal law and regulations.

WARNING:

This product may be mistaken for a firearm by law enforcement officers or others. Any person who changes, alters, removes, or obliterate any coloration or markings that are required by state or federal law or regulation, in any way that makes this product look more like a firearm is guilty of a misdemeanor.

WARNING:

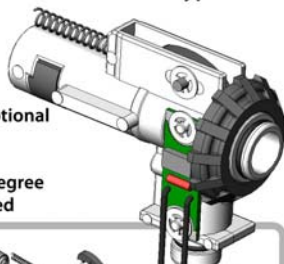
The open display, brandishing and/or exposing of this product in any "public place" may cause confusion and may be a crime. The term "public place" means any area opened to public, including but not limited to, streets, sidewalks, bridges, alleys, plazas, parks, driveways, front yards, parking lots, automobiles, whether moving or not, and buildings opened to the general public including those that serve food or during, or provide entertainment, and the doorways and entrances to buildings or dwellings.

WARNING:

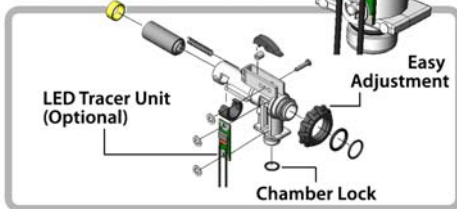
Every person who, except in self-defense, draws or exhibits this product in a threatening manner against another in such a way as to cause a reasonable person apprehension or fear of bodily harm is guilty of a misdemeanor punishable by imprisonment in the county jail for a term of not less than 30 days.



3 in 1



- * LED Tracer Unit: Optional
- * Chamber Lock
- * Easy Adjustment
- 1 FREE MadBull 60 degree blue bucking included



Chamber lock is designed by Brian Holt
Item# HopupUnitM4AR Made in Taiwan MadBull.com